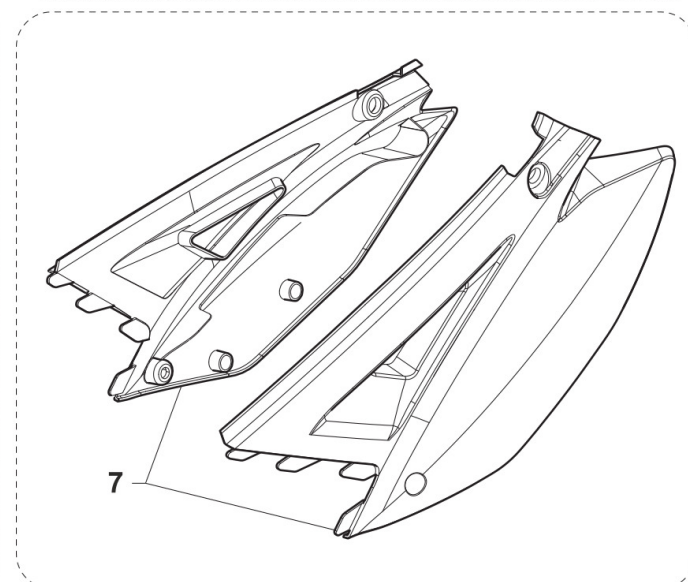
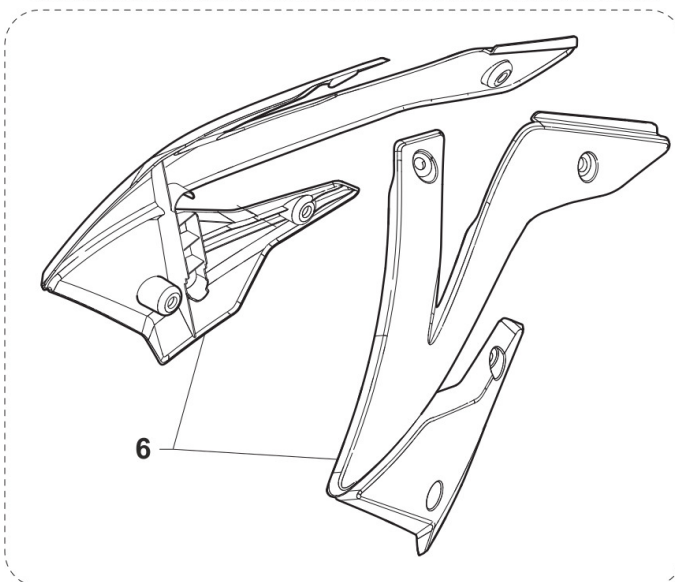
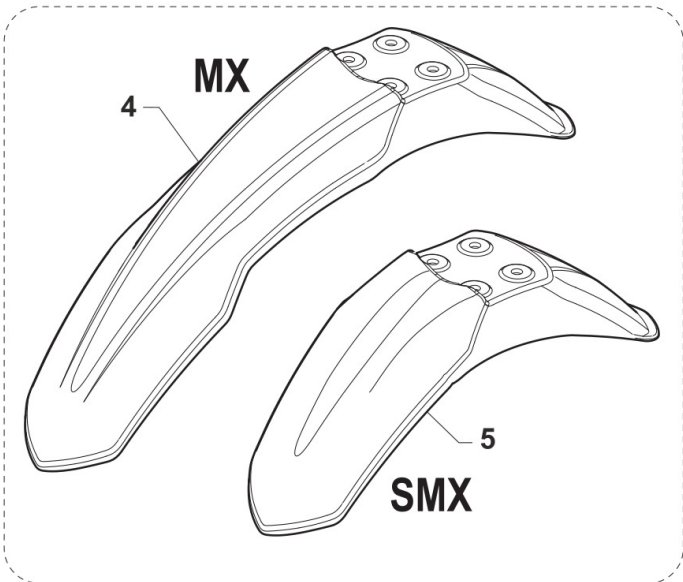
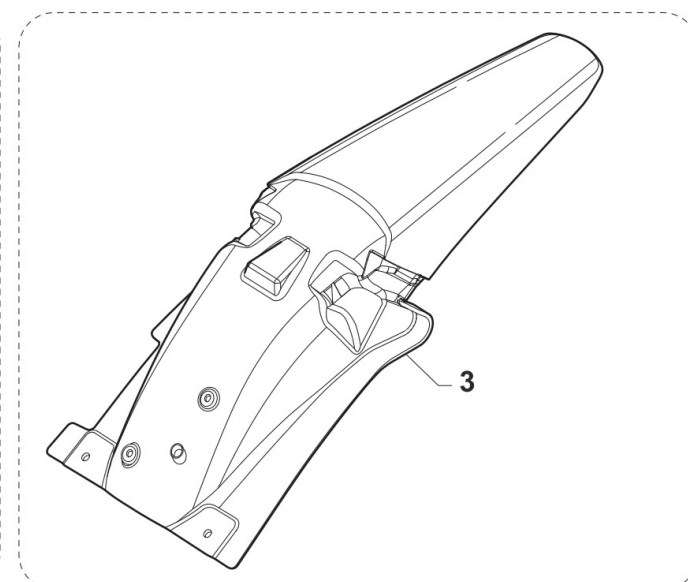
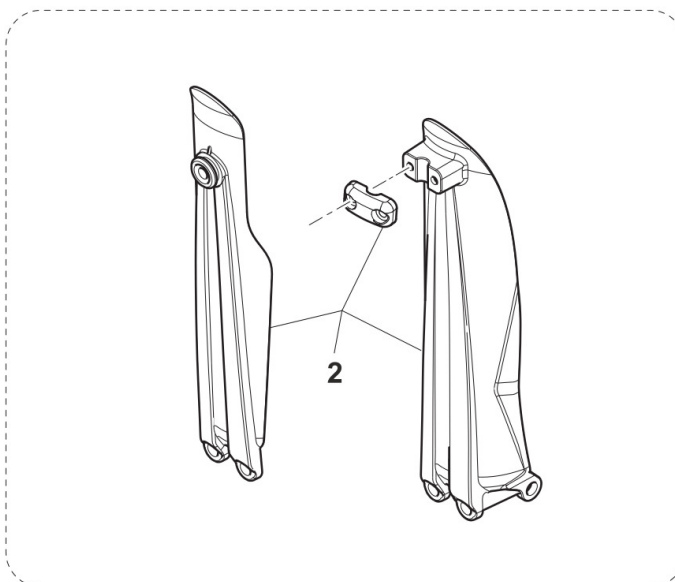
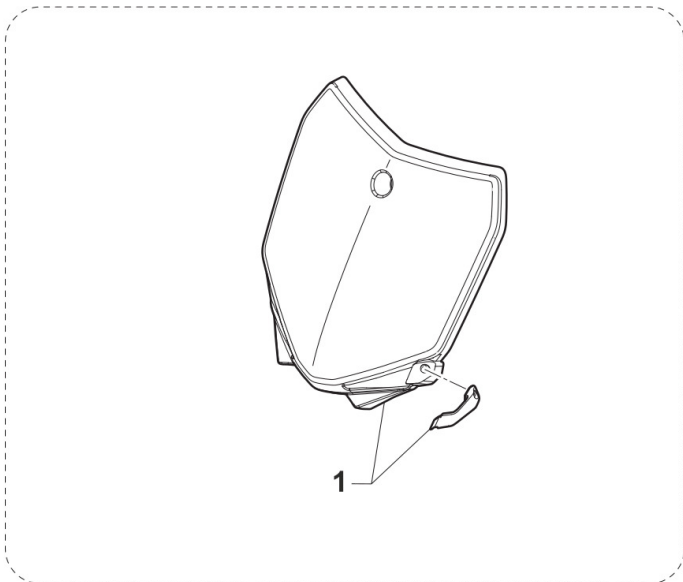




2T85JAA13-T-08

PLASTICHE NERE 85J MX-SMX - 85J MX-SMX BLACK 85J MX-SMX BLACK PLASTICS

1



TM 0114.03



2T85JAA13-T-08

PLASTICHE NERE 85J MX-SMX

PLASTICHE NERE 85J MX-SMX - 85J MX-SMX BLACK 85J MX-SMX BLACK PLASTICS
PLASTICS

1

Pos.	Code	Menge	Notizen	Beschreibung	
1	67329	1		PORTANUMERO ANT 85J 13/-> NERO CON PASSACAVO	FRONT NUMBER PLATE MX JUNIOR MY13-> BLACK
2	67330	1		KIT PROTEZ.FORC.JUN'13 CPL NERO CON PASSACAVO	FORKS PROTECTIONS JUNIOR MY13-> BLACK
3	67328	1		PARAFANGO POSTERIORE JUNIOR'13 NERO	REAR MUDGUARD JUNIOR MY13-> BLACK
4	67323	1		PARAFANGO ANTERIORE JUN'13 NERO	FRONT MUDGUARD JUNIOR MY13-> BLACK
5	67358	1		PARAFANGO ANT JUN'13 SMX NERO	
6	67375	1		SET CONV. ARIA 85J 2013/2022 NERI	
7	67376	1		SET LAT P.NUM 85J 2013/2022 NERI	